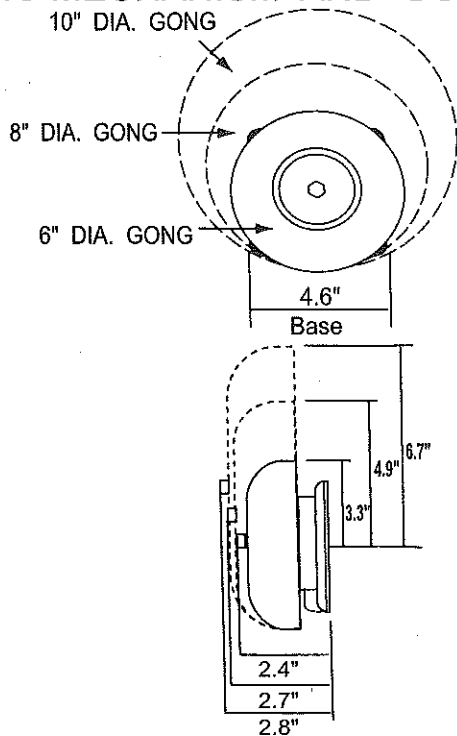
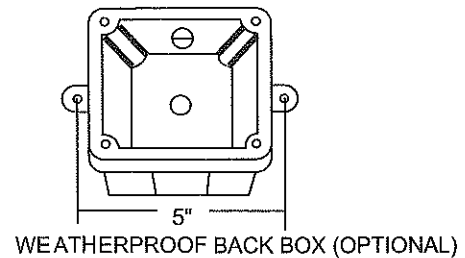
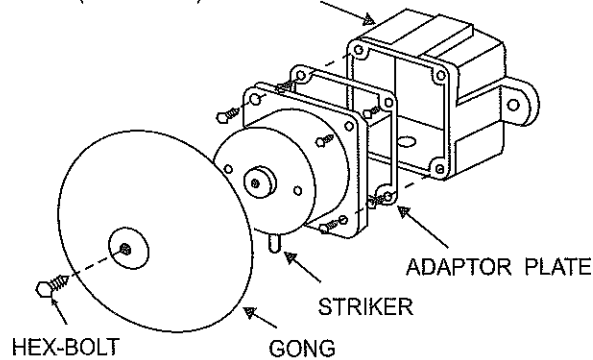


BASIC MECHANISM AND GONGS SEMI-FLUSH INSTALLATION

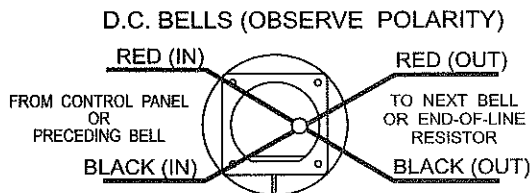


WEATHERPROOF BACK BOX (FOR OUTDOOR USE)
(OPTIONAL)



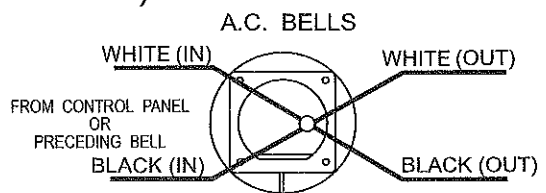
MODEL	RATING VOLTAGE	6" GONG SIZE		8" GONG SIZE		10" GONG SIZE	
		RATED CURRENT	SOUND LEVEL AT 10 FT dB	RATED CURRENT	SOUND LEVEL AT 10 FT dB	RATED CURRENT	SOUND LEVEL AT 10 FT dB
COIL	6VDC	250mA	95	250mA	95	250mA	95
	12VDC	200mA	96	200mA	96	200mA	96
	24VDC	100mA	96	100mA	96	100mA	96
	120VAC	46mA	98	46mA	98	46mA	98
	220VAC	20mA	97	20mA	97	20mA	97

WIRING (REAR VIEW)



CAUTION:
 WHEN ELECTRICAL SUPERVISION IS REQUIRED USE
 IN AND OUT LEADS AS SHOWN.

- NOTES:
1. OBSERVE POLARITY TO RING D.C. BELLS.
 2. RED WIRES POSITIVE (+)
 3. BLACK WIRES NEGATIVE (-)



CAUTION:
 WHEN ELECTRICAL SUPERVISION IS REQUIRED USE
 IN AND OUT LEADS AS SHOWN.

- NOTES:
1. WHEN USING A.C. BELLS, TERMINATE EACH EXTRA WIRE SEPARATELY AFTER LAST BELL.

INSTALLATION NOTE

1. Remove a gong
2. Wire the bell in the circuit.
3. Mount bell mechanism on 4" square standard outlet box with the striker facing down.
4. Replace a gong
5. The bell must be mounted a minimum of 8ft., above the floor, or, as close to the ceiling as possible.
6. Polarized bell provides Red(+) and Black(-) lead wires. When you install the bell, observe the polarity.